

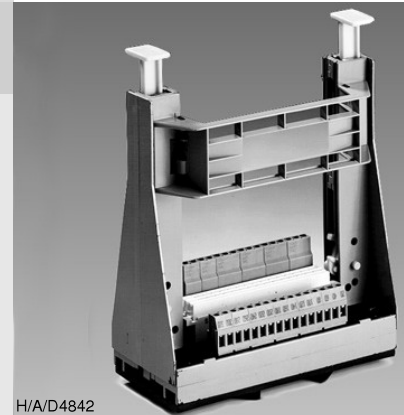
Card holder

RE 29928/04.10
Replaces: 12.08

1/4

Type VT 3002

Component series 2X



H/A/D4842

Table of contents

Content	Page
Ordering code	1
Features	1
Technical data	2
Notes on installation	2
Unit dimensions	3, 4

Features

- The card holder allows for simple installation and wiring of individual electronics cards in Euro-card format , e.g. in control cabinets
- Screwable or snappable to hat rail
- With additional adapter (included in scope of supply) which can be mounted vertically on a hat rail
- Rugged base
- Card locking and releasing by lever actuation
- Connection via screw terminals

Ordering code

VT 3002		- 2X/		*
Card holder	= VT 3002			Further details in the clear text
Single Euro-format		= 1		15H = 15-pin socket connector, form H
Double Euro-format (only in version 32D)		= 2		32D = 32-pin socket connector, form D
Component series 20 to 29 (20 to 29: Unchanged mounting and connection dimensions)			= 2X	32F = 32-pin socket connector, form F
				48F = 48-pin socket connector, form F
				64G = 64-pin socket connector, form G

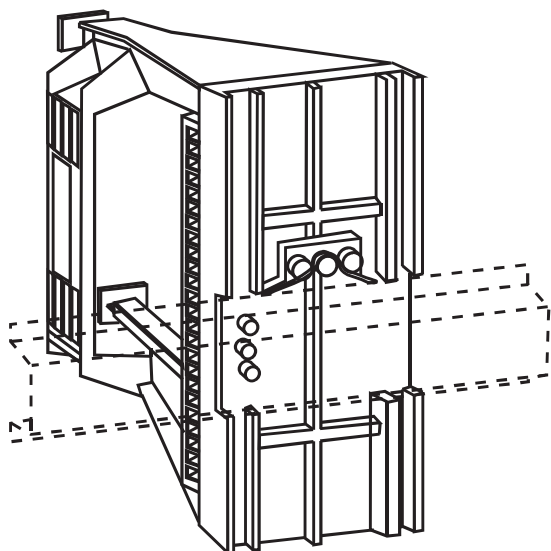
Technical data (For applications outside these parameters, please consult us!)

Terminal voltage according to VDE 0110 C	U	max. 48 VAC/DC
Current carrying capacity	VT 3002...15H	15 A
	VT 3002...32D	4 A
	VT 3002...32F	4 A
	VT 3002...48F	4 A
	VT 3002...64G	3 A
Connection cross-section	A	Plug-in screw terminals max 4 mm ² , form H = 6 mm ²
Type of connection (socket strip)	VT 3002...15H	15-pin socket connector, form H, DIN 41612
	VT 3002...32D	32-pin socket connector, form D, DIN 41612
	VT 3002...32F	32-pin socket connector, form F, DIN 41612
	VT 3002...48F	48-pin socket connector, form F, DIN 41612
	VT 3002...64G	64-pin socket connector, form G, DIN 41612
Pinout	VT 3002...15H	Even-numbered, rows d/z
	VT 3002...32D	Even-numbered, rows a/c
	VT 3002...32F	Even-numbered, rows b/z
	VT 3002...48F	Even-numbered, rows d/b/z
	VT 3002...64G	Even-numbered, rows f/d/b/z
Permissible ambient temperature range	ϑ	-20 to +70 °C
Weight single/double Euro-format	m	0.5 kg / 0.8kg

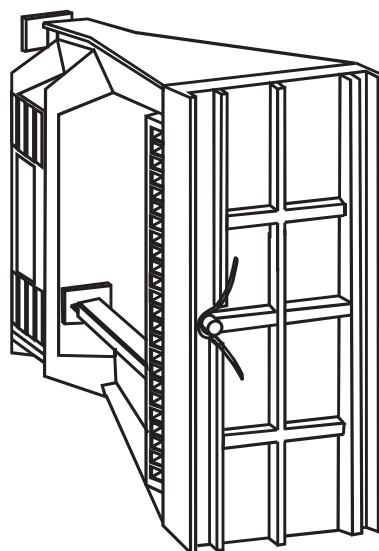
Notes on installation

Push down the yellow operating levers and insert card completely. The card can only be unlocked and withdrawn after repeated actuation of the locking lever.

For the connection of cables, the connection web between the two card guide rails can be removed or snapped in on the other side.

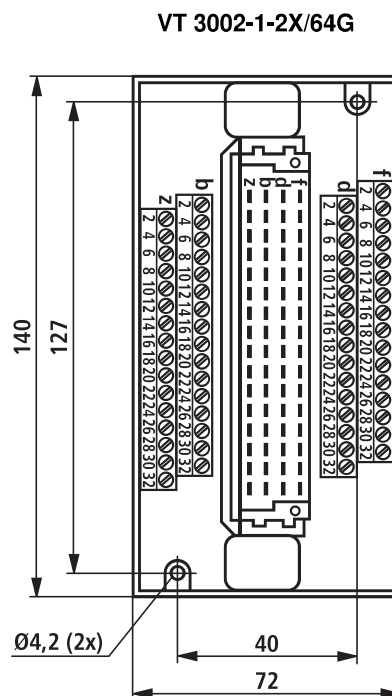
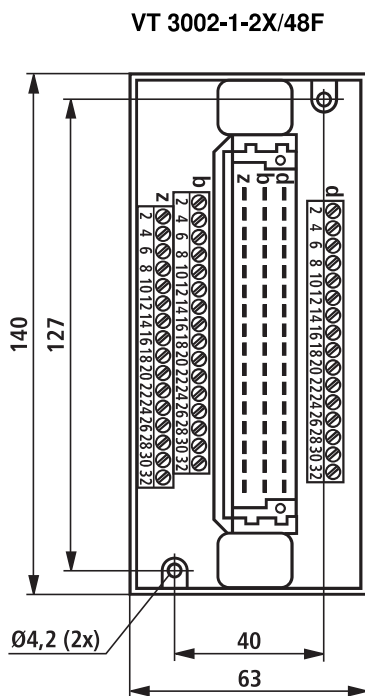
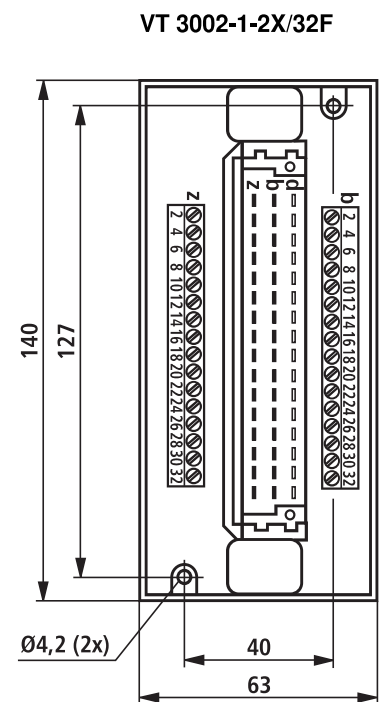
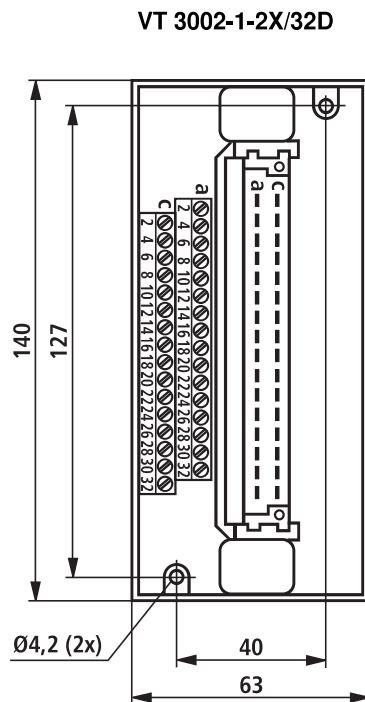
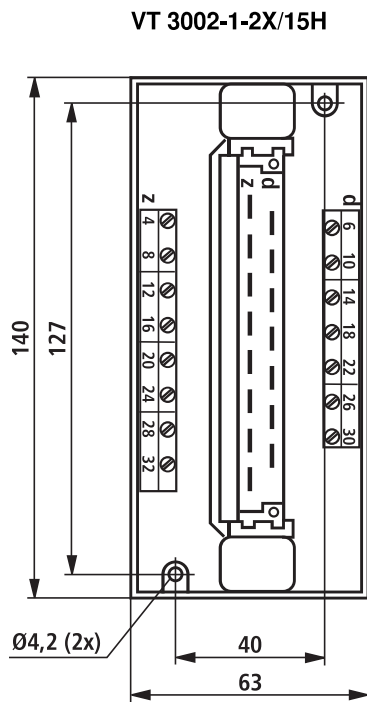


Card holder for forms H 15-pin, D 32-pin, F 32-pin, and F 48-pin

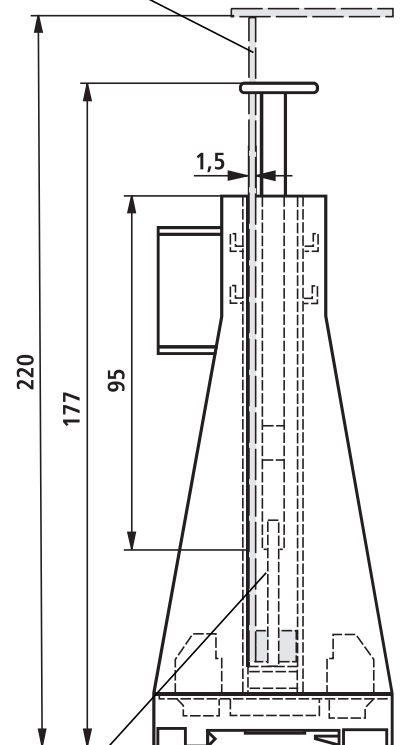


Card holder for designs double Europe format 32 D as well as G 64-pole
Hat rail mounting only possible in vertical position

Unit dimensions (dimensions in mm)

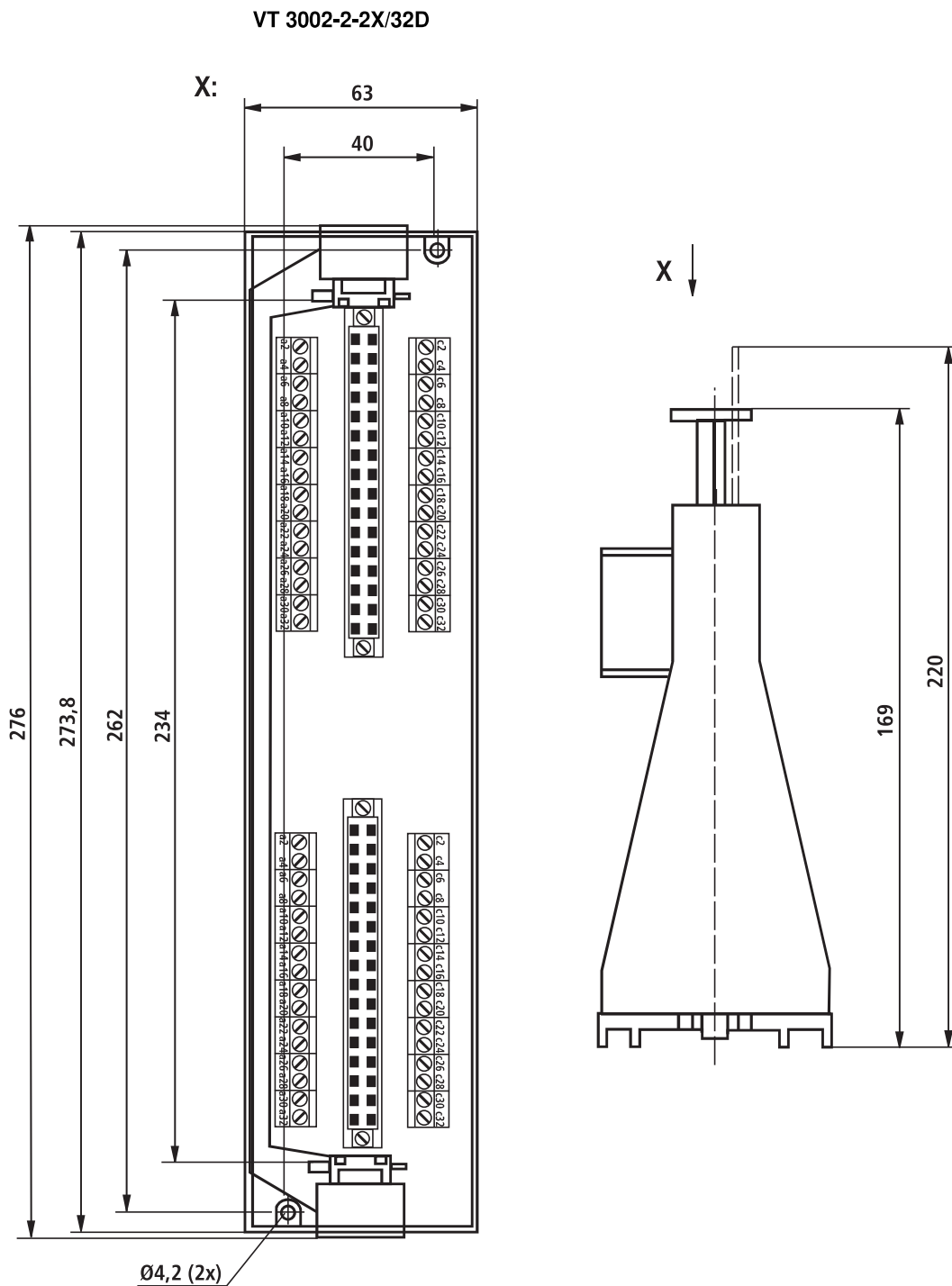


Electronic card with front panel



Card locking mechanism

Unit dimensions (dimensions in mm)



Bosch Rexroth AG
 Hydraulics
 Zum Eisengießer 1
 97816 Lohr am Main, Germany
 Phone +49 (0) 93 52 / 18-0
 Fax +49 (0) 93 52 / 18-23 58
 documentation@boschrexroth.de
 www.boschrexroth.de

© This document, as well as the data, specifications and other information set forth in it, are the exclusive property of Bosch Rexroth AG. It may not be reproduced or given to third parties without its consent. The data specified above only serve to describe the product. No statements concerning a certain condition or suitability for a certain application can be derived from our information. The information given does not release the user from the obligation of own judgment and verification. It must be remembered that our products are subject to a natural process of wear and aging.